

6

5

4

3

2

1

MATERIAL AND FINISH:

Insulator: Nylon 66, color black, UL-94V-2

Contacts: Copper Alloy, Tin plated

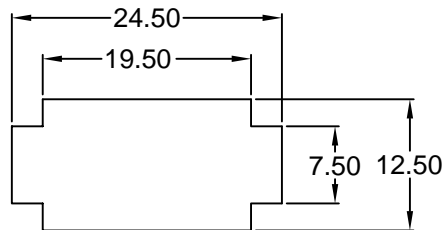
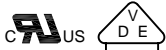
ELECTRICAL SPECIFICATIONS:

Rated current: 2.5A

Rated voltage: 250VAC

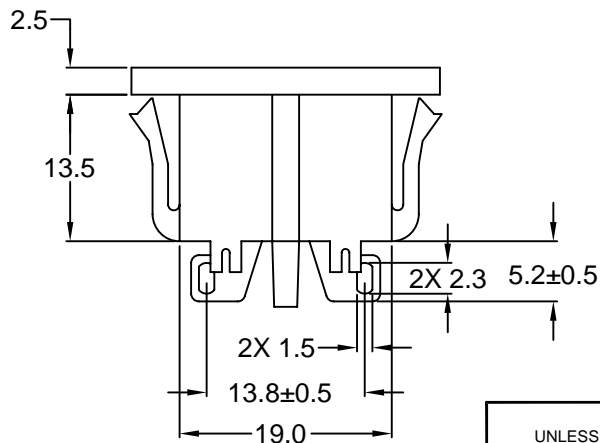
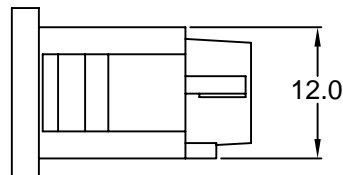
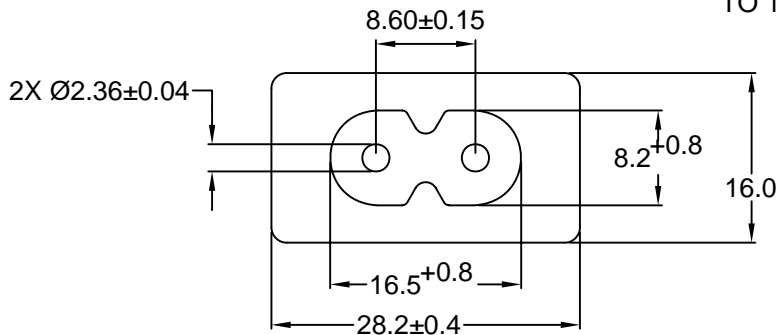
Insulation resistance: 100 Mohm min. @ 500VDC

Dielectric withstanding voltage: 2000VAC for one minute



**RECOMMENDED
PANEL CUTOUT**
PANEL THICKNESS: 0.8 mm MIN.
TO 1.3 mm MAX.

RoHS
COMPLIANT



REVISIONS

REV	DATE	CHANGE	CHNG	CHK	APPR
A	4/10/00	REVISED / REDRAWN	PB	JJ	SS
B	5/9/00	REVISED DIM TOL.	TD	JJ	SS
C	11/09/01	REVISED / UPDATED	GO	TD	PB

TOLERANCE UNLESS OTHERWISE SPECIFIED	
X	± 1
X.X	± 0.4
X.XX	± 0.20

DRAWN BY	AH	DATE:	8/6/98
CHECK BY	LH	DATE:	8/6/96
APPR BY	SS	DATE:	8/6/99

Power Dynamics, Inc.
Phone: 973 560-0019 Whippany, New Jersey Fax: 973 560-0076

PART: MINIATURE IEC 60320 C8 APPL. INLET;
SNAP-IN, SOLDER TERMINALS

PART #:	42R51-5128	SHEET	1 of 1
SIZE:	A	ALL DIMENSIONS FOR REFERENCE ONLY DIMENSIONS ARE IN MILLIMETERS	REV: C
SCALE:	NTS		

6

5

4

3

2

1